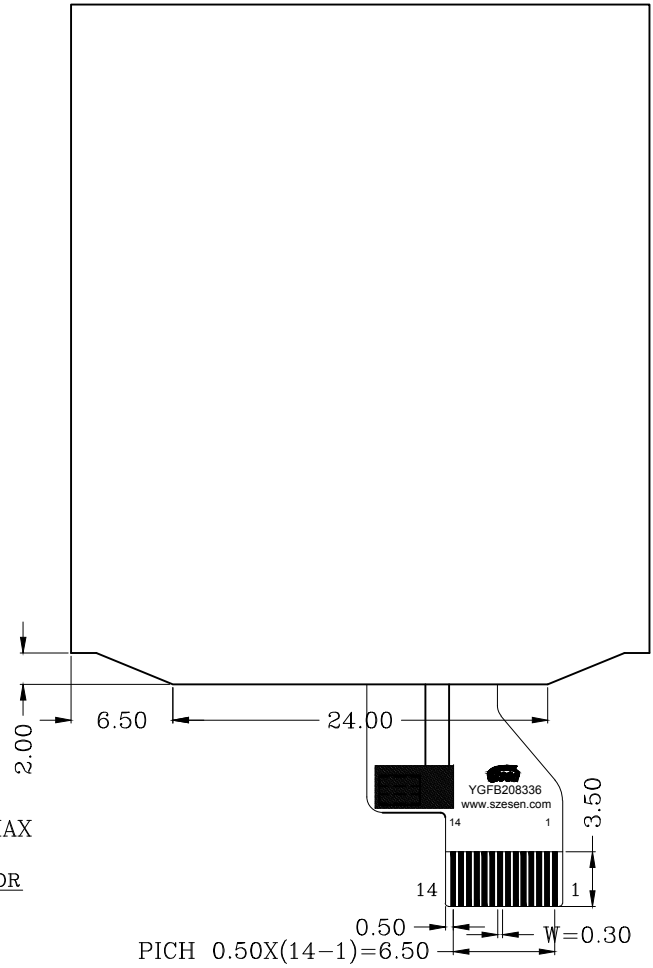
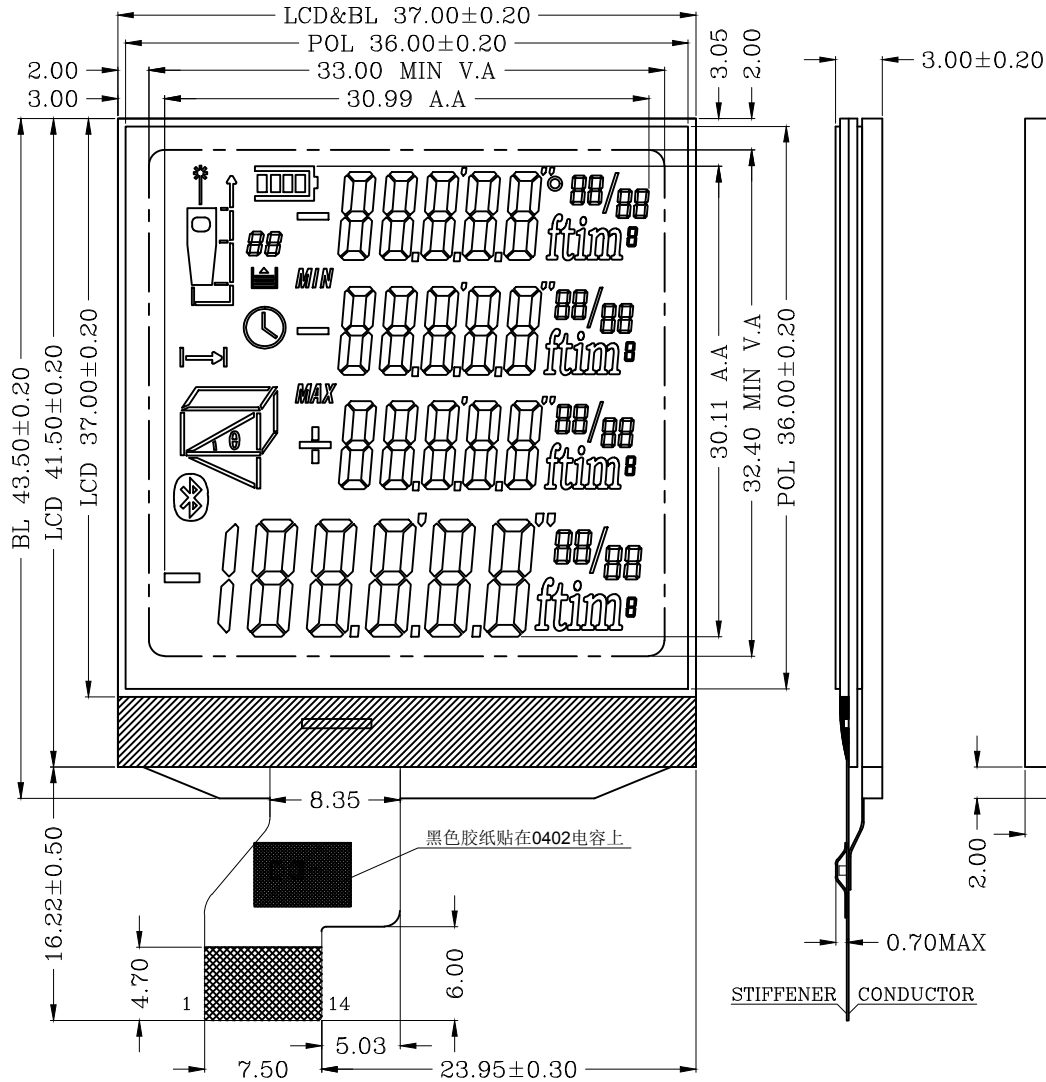


REV.	DESCRIPTION	REVISER	DATE
A0	First issue	ZHJ	2020-12-11

Signature: _____ Date: _____



PIN NO	SYMBOL
1	CS
2	RES
3	A0
4	SCL
5	SDA
6	VDD
7	GND
8	VG
9	GND
10	NC
11	NC
12	NC
13	A
14	K

1.0uF/25V

注：整体所有显示内容均向左平移了0.81mm，请知悉并确认

- Specifications:
1. Display Mode: FSTN/Transmissive/Positive.
 2. Viewing Angle: 6 0'clock.
 3. Drive Method: 1/9 Duty, 1/4 Bias, Vop=5.0V, Vdd=3.3V.
 4. Top: -20°C~+70°C, Tst: -30°C~+80°C.
 5. Connector: COG+FPC.
 6. Drive IC: ST7567A
 7. Backlight: 2PCS WHITE LEDS, If=30mA & Vf=3.0±0.10V
 8. With " * " Mark Dimensions Are Important Dimensions.



深圳亿成光电科技有限公司

TEL: +86-0755-23028689 FAX: +86-0755-29368069

Unspecified Tolerance:	±0.20	UNITS: mm	DATE:	MODEL NUMBER :
DESIGN BY:	ZHJ	2020-12-11		
CHECKED BY:				
CUSTOMER P/N:			YGFB208336 DO NOT SCALE THIS DRAWING.	
				SHEET: 1 OF 1
				DATE: 2020-12-11

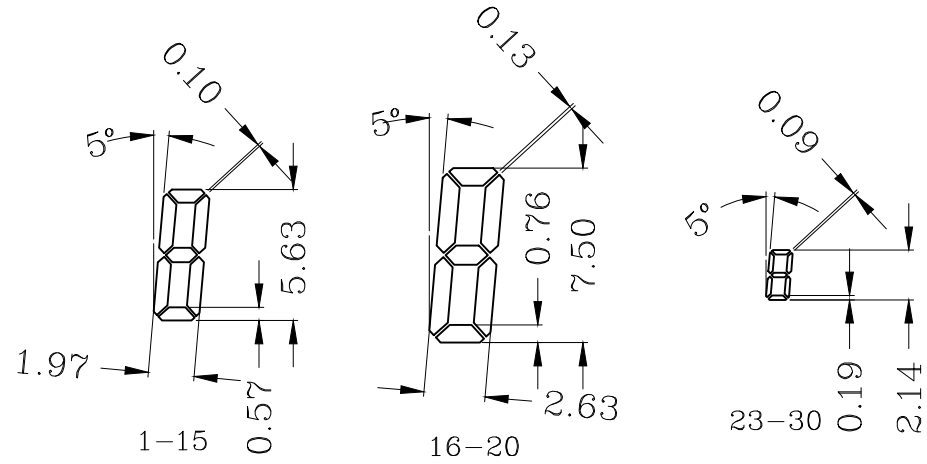
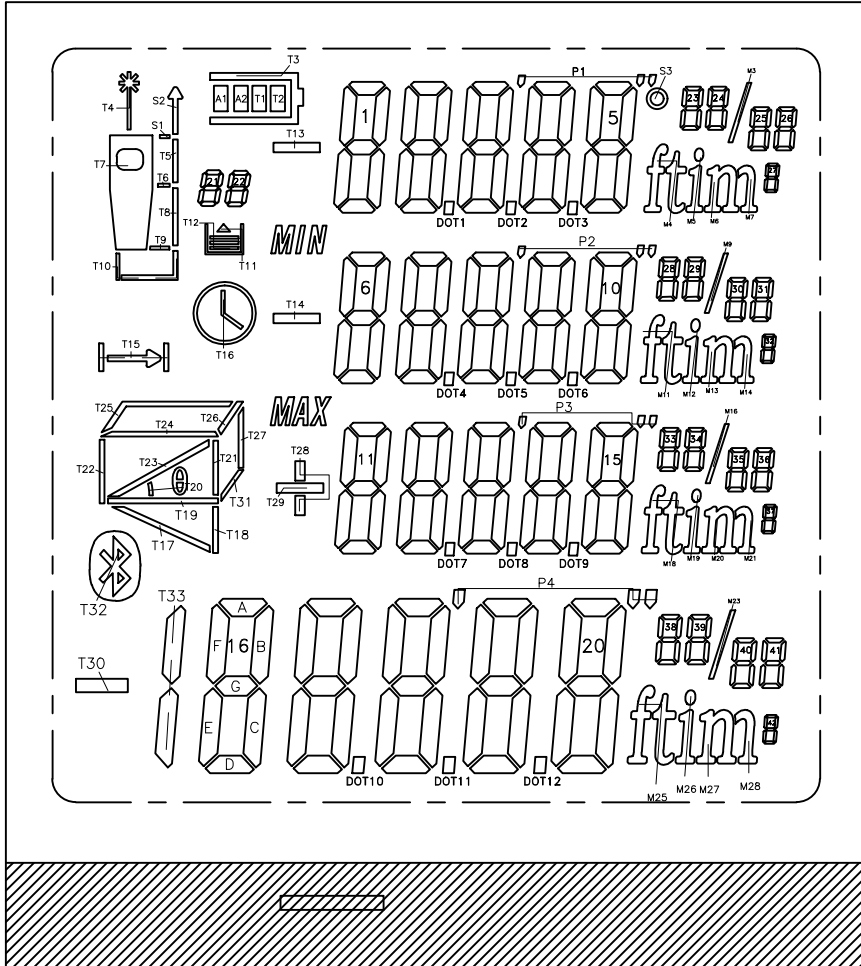
REV.	DESCRIPTION	REVISER	DATE
A0	First issue	ZHJ	2020-12-11

Signature: _____ Date: _____

PIN	SEG0	SEG1	SEG2	SEG3	SEG4	SEG5	SEG6	SEG7	SEG8	SEG9	SEG10	SEG11	SEG12	SEG13	SEG14	SEG15	SEG16	SEG17	SEG18	SEG19	SEG20	SEG21	SEG22	SEG23	SEG24	SEG25	SEG26	SEG27	SEG28	SEG29	SEG30	SEG31	SEG32	SEG33
COM0		A1	T4	T7	T10	21D	21C	22D	22C	T15	MAX	T26	T25	T24	T22	T30	16E	16D	17E	17D	DOT10	18D	DOT11	19D	DOT12	20D	M28	42E	42D	38E	38D	39E	39D	40E
COM1	T2	A2	S1	T6	T9	21E	21G	22E	22G	T16	T29	T27	T21	T23	T19	T32	16G	16C	17G	17C	18E	18C	19E	19C	20E	20C	M27	42G	42C	38G	38C	39G	39C	40G
COM2	T3	T1	S2	T5	T8	21F	21B	22F	22B	T11	T28	T31		T20	T18	T17	16F	16B	17F	17B	18G	18B	19G	19B	20G	20B	M26	42F	42B	38F	38B	39F	39B	40F
COM3	T13					21A	MIN	22A	T12								T33	16A	P4	17A	18F	18A	19F	19A	20F	20A	M25		42A		38A		39A	M23

PIN	SEG34	SEG35	SEG36	SEG37	SEG38	SEG39	SEG40	SEG41	SEG42	SEG43	SEG44	SEG45	SEG46	SEG47	SEG48	SEG49	SEG50	SEG51	SEG52	SEG53	SEG54	SEG55	SEG56	SEG57	SEG58	SEG59	SEG60	SEG61	SEG62	SEG63	SEG64	SEG65	SEG66	SEG67	
COM0	40D	41E	41D	11E	11D	12E	12D	DOT7	13D	DOT8	14D	DOT9	15D	M21	37E	37D	33E	33D	34E	34D	35E	35D	36E	36D	6E	6D	7E	7D	DOT4	8D	DOT5	9D	DOT6	10D	
COM1	40C	41G	41C	11G	11C	12G	12C	13E	13C	14E	14C	15E	15C	M20	37G	37C	33G	33C	34G	34C	35G	35C	36G	36C	6G	6C	7G	7C	8E	8C	9E	9C	10E	10C	
COM2	40B	41F	41B	11F	11B	12F	12B	13G	13B	14G	14B	15G	15B	M19	37F	37B	33F	33B	34F	34B	35F	35B	36F	36B	6F	6B	7F	7B	8G	8B	9G	9B	10G	10B	
COM3	40A		41A		11A	P3	12A	13F	13A	14F	14A	15F	15A	M18		38A			33A		34A	M16	36A		37A	T14	6A	P2	7A	8F	8A	9F	9A	10F	10A

PIN	SEG68	SEG69	SEG70	SEG71	SEG72	SEG73	SEG74	SEG75	SEG76	SEG77	SEG78	SEG79	SEG80	SEG81	SEG82	SEG83	SEG84	SEG85	SEG86	SEG87	SEG88	SEG89	SEG90	SEG91	SEG92	SEG93	SEG94	SEG95	SEG96	SEG97	SEG98	SEG99
COM0	M14	32E	32D	28E	28D	29E	29D	30E	30D	31E	31D	1E	1D	2E	2D	DOT1	3D	DOT2	4D	DOT3	5D	M7	27E	27D	23E	23D	24E	24D	25E	25D	26E	26D
COM1	M13	32G	32C	28G	28C	29G	29C	30G	30C	31G	31C	1G	1C	2G	2C	3E	3C	4E	4C	5E	5C	M6	27G	27C	23G	23C	24G	24C	25G	25C	26G	26C
COM2	M12	32F	32B	28F	28B	29F	29B	30F	30B	31F	31B	1F	1B	2F	2B	3G	3B	4G	4B	5G	5B	M5	27F	27B	23F	23B	24F	24B	25F	25B	26F	26B
COM3	M11		32A		28A		29A	M9	30A		31A	S3	1A	P1	2A	3F	3A	4F	4A	5F	5A	M4		27A		23A		24A	M3	25A		26A





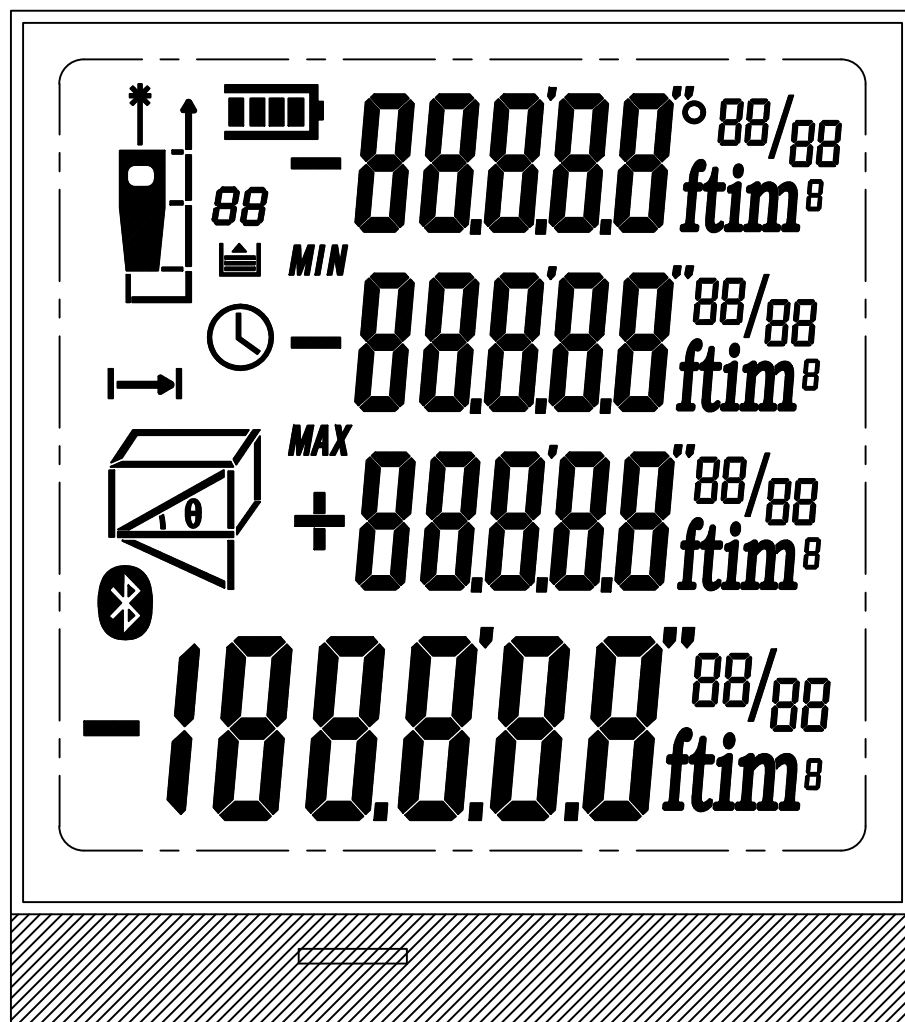
深圳亿成光电科技有限公司

TEL: +86-0755-23028689 FAX: +86-0755-29368069

Unspecified Tolerance:	±0.20	UNITS: mm	DATE:	MODEL NUMBER :		SHEET:	2 OF 3
DESIGN BY:	ZHJ		2020-12-11	YGFB208336		DATE:	2020-12-11
CHECKED BY:					DO NOT SCALE THIS DRAWING.		
CUSTOMER P/N:					PROJECTION		

REV.	DESCRIPTION	REVISER	DATE
A0	First issue	ZHJ	2020-12-11

Signature: _____ Date: _____



全显效果图



深圳亿成光电科技有限公司

TEL: +86-0755-23028689 FAX: +86-0755-29368069

Unspecified Tolerance:	±0.20	UNITS: mm	DATE:	MODEL NUMBER :		SHEET:	3 OF 3
DESIGN BY:		ZHJ	2020-12-11	YGFB208336		DATE:	2020-12-11
CHECKED BY:					DO NOT SCALE THIS DRAWING.	PROJECTION	
CUSTOMER P/N:							